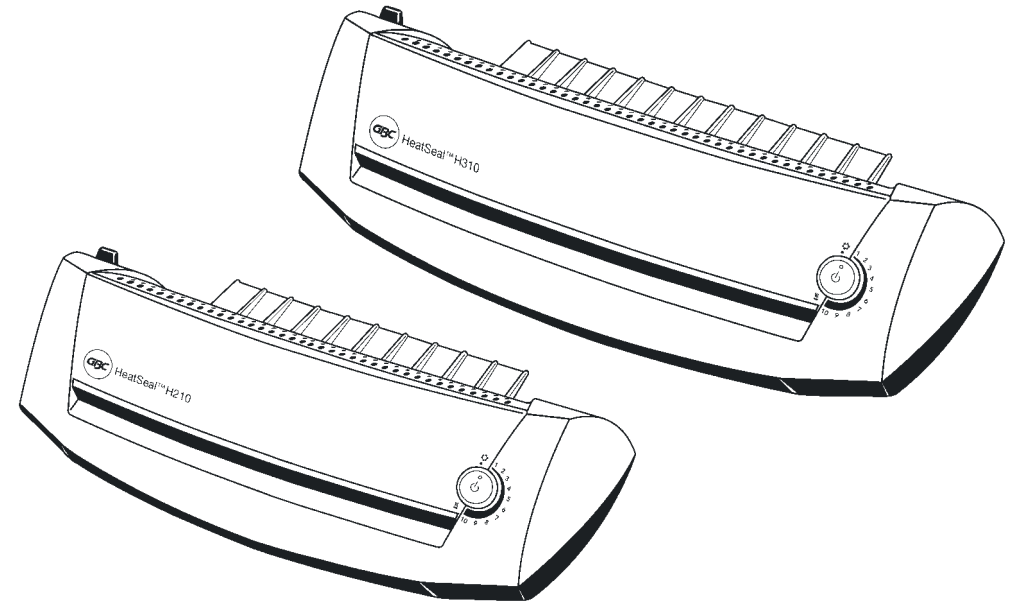
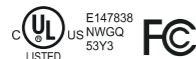
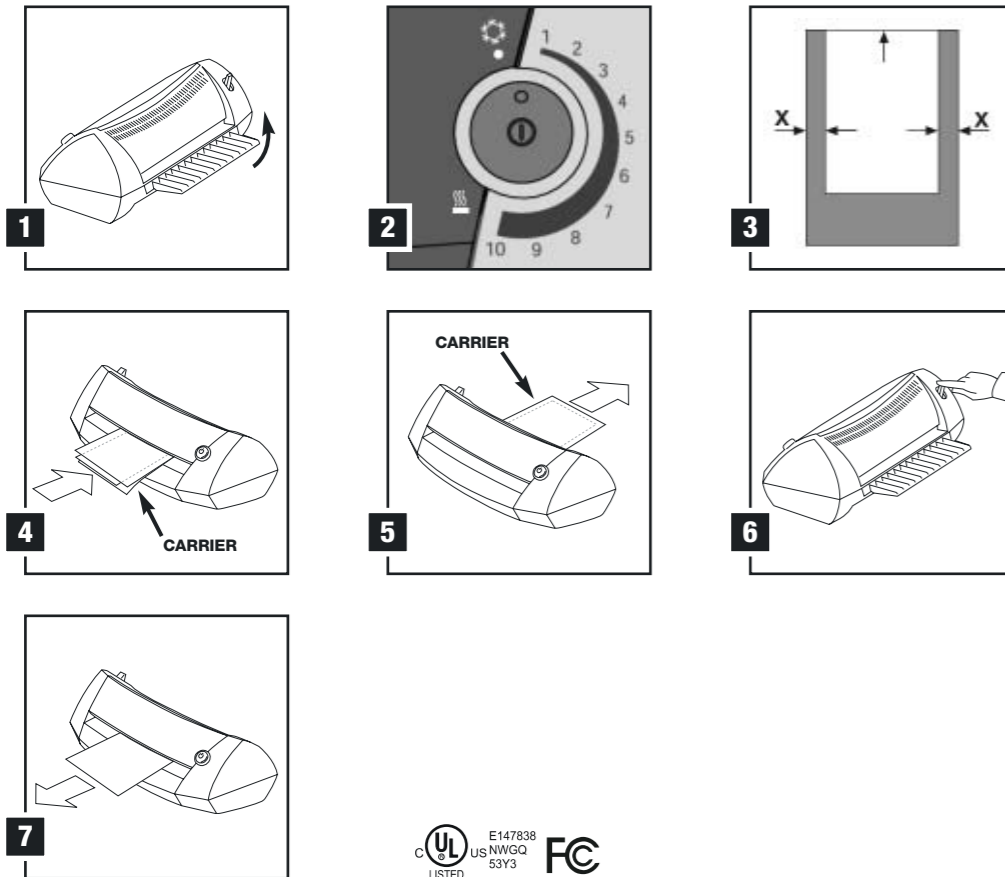
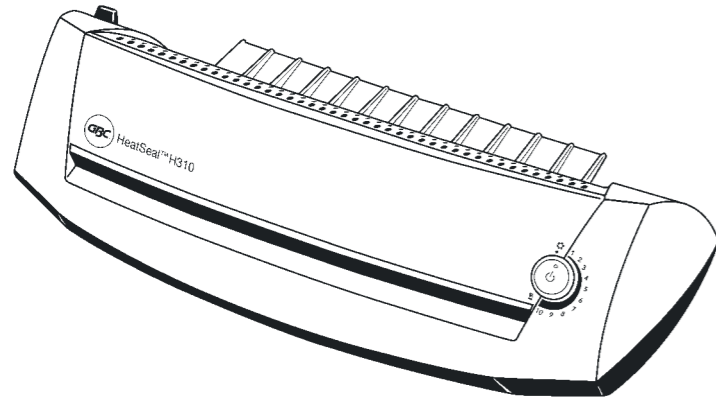


HeatSeal™ H210/H310





Safety instructions



YOUR SAFETY AS WELL AS THE SAFETY OF OTHERS IS IMPORTANT TO GBC. IN THIS INSTRUCTION MANUAL AND ON THE PRODUCT ARE IMPORTANT SAFETY MESSAGES. READ THESE MESSAGES CAREFULLY.

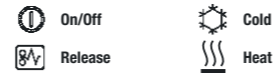
THE SAFETY ALERT SYMBOL PRECEDES EACH SAFETY MESSAGE IN THIS INSTRUCTION MANUAL. THIS SYMBOL INDICATES A POTENTIAL PERSONAL SAFETY HAZARD THAT COULD HURT YOU OR OTHERS, AS WELL AS CAUSE PRODUCT DAMAGE OR PROPERTY DAMAGE.

THE FOLLOWING WARNING IS FOUND ON THE PRODUCT IN SEVERAL LANGUAGES.



This safety message means that you could be seriously hurt or killed if you open the product and expose yourself to hazardous voltage.

The following ISO and IEC symbols appear on this product, and their meaning is as follows:



Special notice

Thank you, for your recent purchase of a GBC Pouch Laminator. Your new laminator may emit a slight odour during the initial stage of operation. It is normal and will diminish after several hours of operation.

Do not attempt to do single sided lamination. This will destroy the carrier.

Cleaning

Caution: Unplug this product before cleaning.

- Wipe exterior only with a damp cloth. Do not use detergents or solvents.

Specifications

	GBC HeatSeal H210	GBC HeatSeal H310
Electrical	120V / 60Hz / Amps / W	120V / 60Hz / Amps / W
Machine Dimensions	400 x 173 x 117.5mm (15.75" x 6.75" x 4.62")	476 x 173 x 117.5mm (18.75" x 6.75" x 4.62")
Machine Weight	2.7 kg (6 lbs.)	3.75 kg (8.25 lbs.)
Maximum Pouch Width	241mm (9.5")	318mm (12.5")
Maximum Pouch Thickness	5mil.	5mil.
Maximum Thru-put Thickness	1.0 mm (.040")	1.0 mm (.040")
Warm-Up Time (2 x 75 mic)	5 minutes	6 minutes

Important safeguards



WARNING: FOR YOUR PROTECTION DO NOT CONNECT THE POUCH LAMINATOR TO ELECTRICAL POWER UNTIL YOU READ THESE INSTRUCTIONS COMPLETELY. KEEP THESE INSTRUCTIONS IN A CONVENIENT LOCATION FOR FUTURE REFERENCE. TO GUARD AGAINST INJURY, THE FOLLOWING BASIC SAFETY PRECAUTIONS MUST BE OBSERVED IN THE SET-UP AND USE OF THIS PRODUCT.

General safeguards

- Use the unit only for its intended purposes of laminating documents.
- Do not place anything in the throat opening of the laminator other than pouches/documents/carriers.
- Place unit on a secure, stable work area to prevent the unit from falling and possibly causing personal injury and damage to the unit.
- Follow all warnings and instructions marked on the unit.
- The socket outlet shall be installed near the equipment and shall be easily accessible.
- Do not block the vent slots, this will cause the laminator to overheat.

Electrical safeguards

- The unit must be connected to a supply voltage corresponding to the electrical rating shown on the unit.
- Unplug the unit before moving it, or when it is not in use for an extended period of time.
- Do not operate with a damaged supply cord or plug. Do not alter the attachment plug. The plug is configured for the appropriate electrical supply.
- Do not overload electrical outlets beyond their capacity; fire or electrical shock could result.
- The unit is intended for indoor use only.
- Never push objects through the cabinet slots. Do not spill liquid of any kind on this product.
- Close supervision is required when this product is used near children.

Service

- Do not attempt to service or repair the pouch laminator yourself. Unplug the unit and contact an authorized GBC service representative for any required repairs.

Important: Before operating your new laminator, **lift up the exit tray** located at the rear of the machine and lock it in place (fig. 1).

Operation, hot lamination

- Connect power cord to appropriate power source.
- Push the **power button** to turn the power "ON" (fig. 2). The inside of the laminator will glow red.
- Using the lamination guideline table here below, select the appropriate temperature setting for the pouch gauge thickness and material you are laminating.
 - If the laminated item appears to be cloudy, it means that the laminator temperature is not hot enough. Allow the laminator to heat for a few more minutes then run the pouch through again.
 - If the laminated item is wavy, the TEMPERATURE is too hot. Verify temperature selector is set at the appropriate temperature.
 - Always allow sufficient time for the laminator to adjust to changes in temperature setting.
- The inside of the laminator will glow green when the laminator has reached operating temperature.
- Position the document to be laminated into a GBC laminating pouch, so that the document is aligned to the folded sealed edge and the right and left borders are equal and insert the pouch into the **carrier** (fig. 3).
- Insert the carrier straight into the machine, **leading with the folded edge** (fig. 4).
- The carrier will automatically exit the rear of the machine. After the carrier has stopped moving, immediately place it on a flat surface to cool for one minute before handling (fig. 5).
- If you have finished laminating, push the switch to turn "OFF" the machine.

	3 mil.	5 mil.
Copy Paper Setting	2 - 4	4 - 6
Glossy Paper Setting	4 - 6	6 - 8
Photo Paper Setting	7 - 8	9 - 10

Operation, cold lamination

- Connect power cord to appropriate power source.
- Rotate the temperature dial to the "cold" position (fig. 2).
- Push the **power button** to turn the power "ON" (fig. 2).
- The inside of the laminator will glow green.
- Use and laminate your GBC cold pouch. (Pressure sensitive—non-thermal laminating pouch)

Anti-jam feature: Important Information

How to use the release lever.

- If carrier jams or is fed improperly, turn off the laminator immediately.
- Press the release lever down to release the motor from the rollers (fig. 6).
- Pull your carrier out of the laminator while pressing the release lever down (fig. 7).
- Continue laminating.

Helpful lamination hints

- Temperature setting Guidelines:** When laminating thin paper with light ink coverage, set the temperature dial at the low end of the range. Thick paper and heavy ink coverage require higher settings. Temperature settings will vary due to the finish, chemistry and heat absorption properties of the material being laminated.
- Before laminating important or unique documents always run a test pouch through the laminator using a similar type document.
- As soon as the lamination is completed, remove from the rear of the machine and place on a cool flat surface for cooling to prevent the pouch from curling.
- Your Laminator is equipped with an **automatic shut-off** function. If the machine remains idle for one hour, the heater function will automatically shut down. To reset the machine for operation, push the power button off first and back on again.

Warranties

Operation of this machine is guaranteed for **two years** from date of purchase, subject to normal use. Within the guarantee period, GBC will at its own discretion either repair or replace the defective machine free of charge. Defects due to misuse or use for inappropriate purposes are not covered under the guarantee. Proof of date of purchase will be

required. Repairs or alterations made by persons not authorised by GBC will invalidate the guarantee. It is our aim to ensure that our products perform to the specifications stated. This guarantee does not affect the legal rights which consumers have under applicable national legislation governing the sale of goods.

Register this product online at www.gbc.com